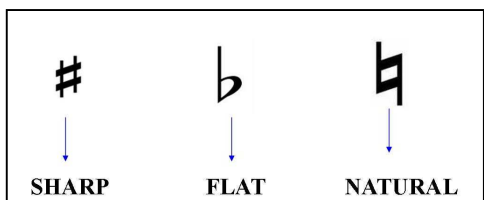
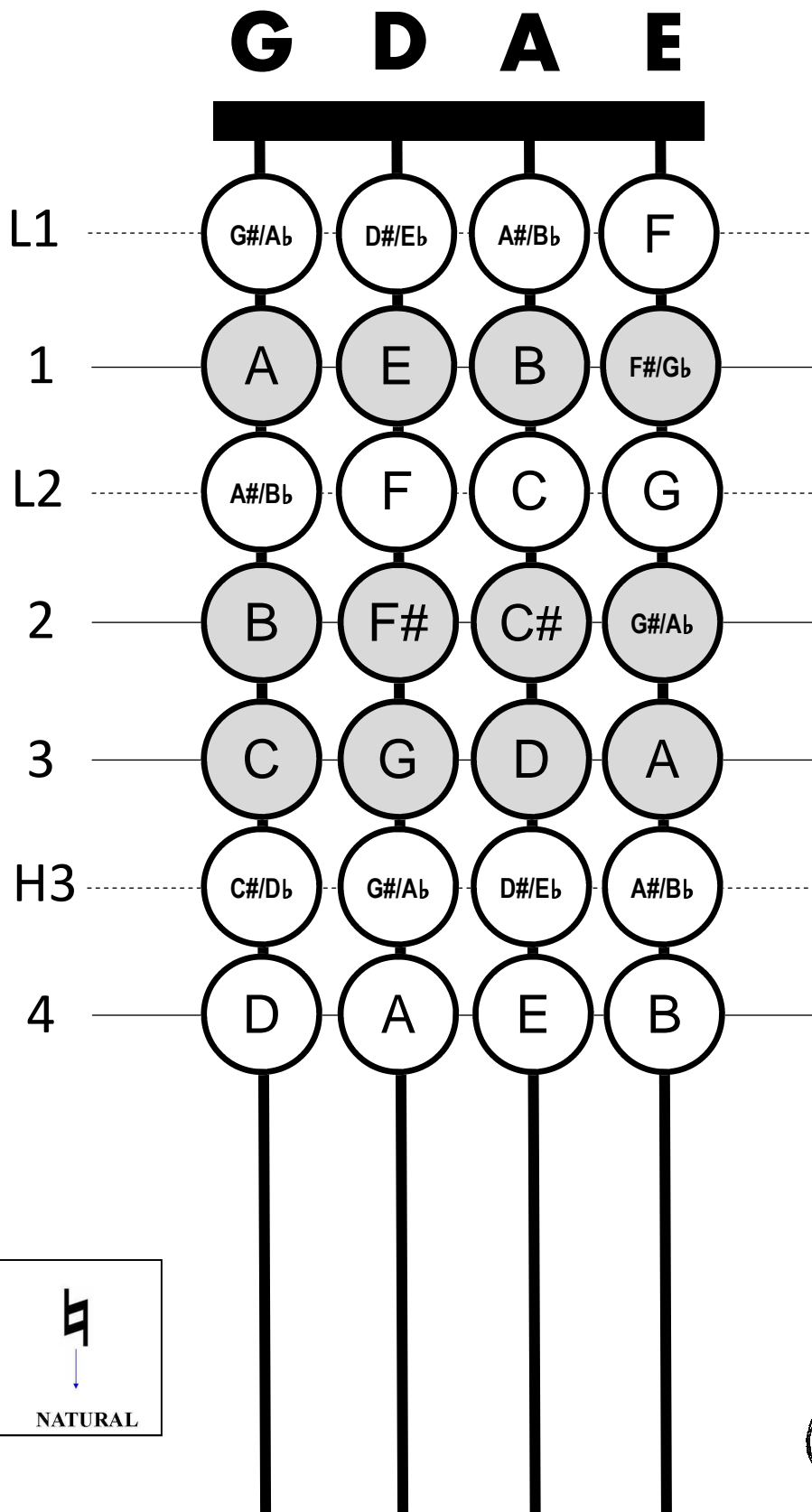


NAME: _____

Violin—First Position Fingerings

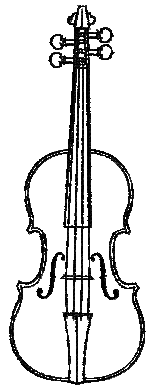
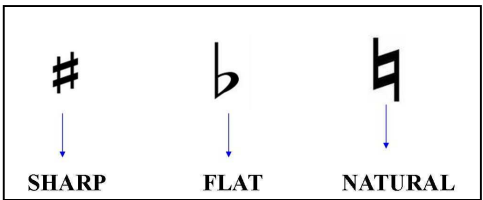
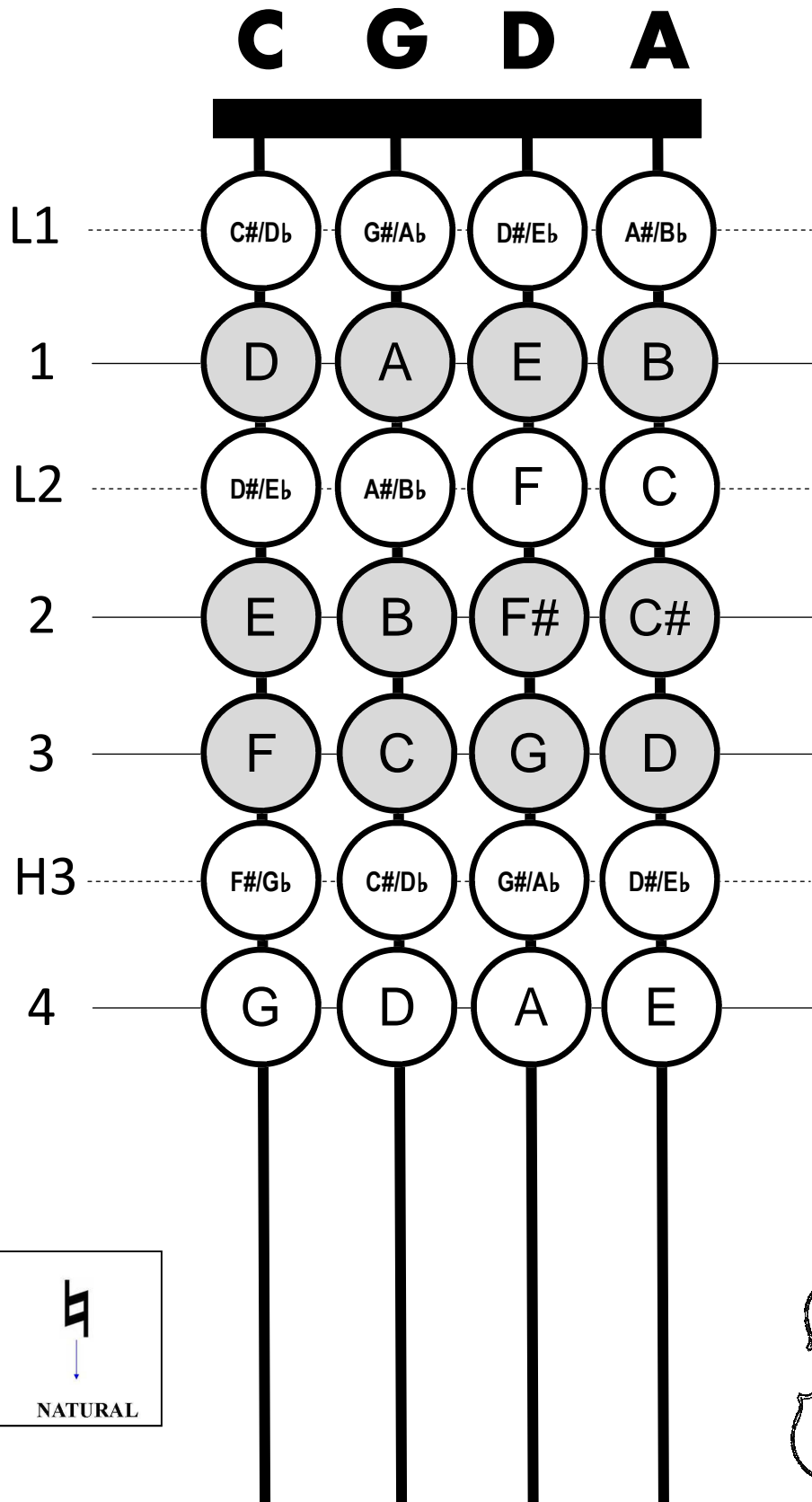
8TH GRADE ORCHESTRA



NAME: _____

Viola—First Position Fingerings

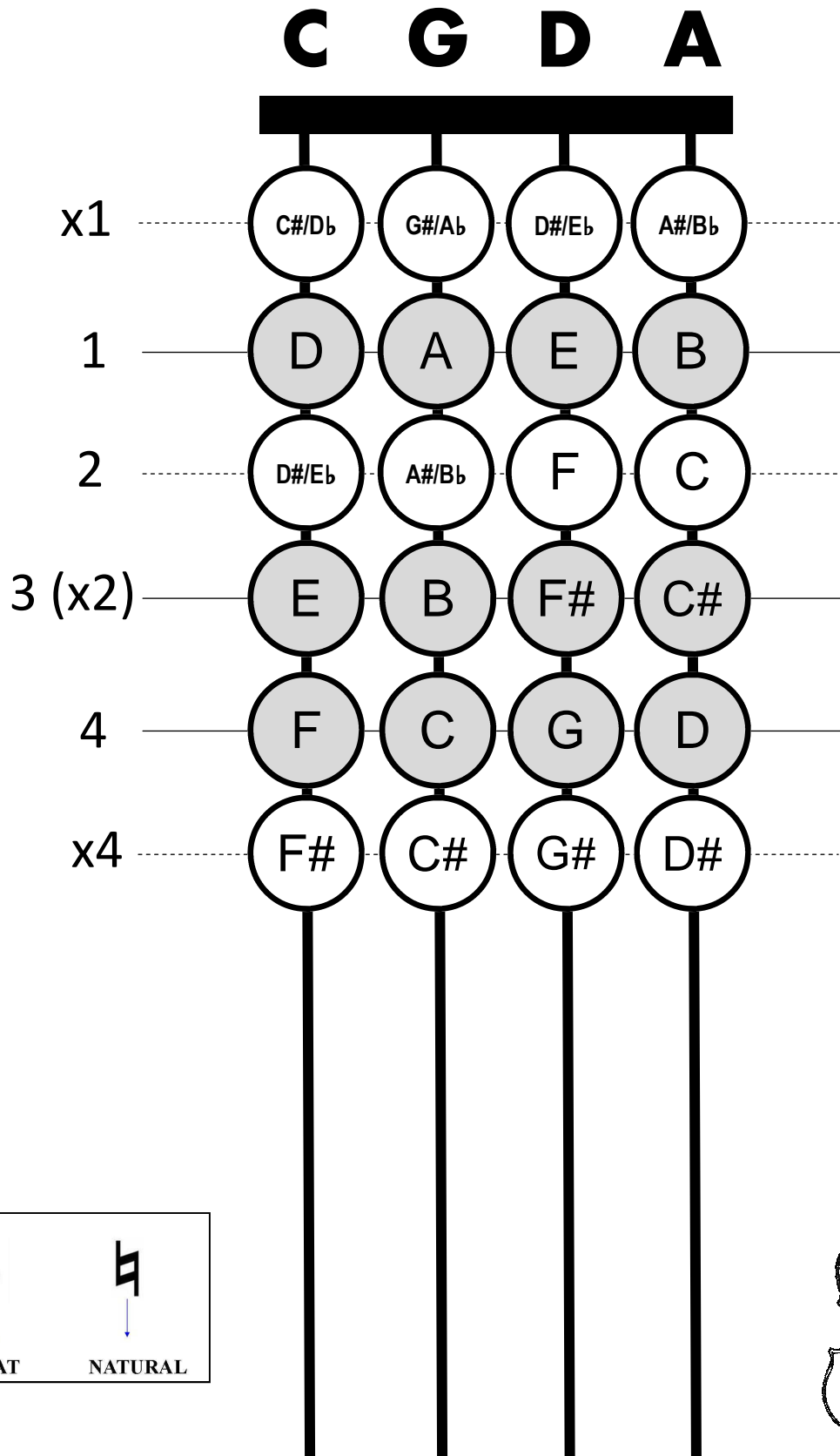
8TH GRADE ORCHESTRA



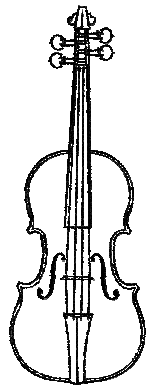
NAME: _____

Cello—First Position Fingerings

8TH GRADE ORCHESTRA



#	\flat	\natural
↓	↓	↓
SHARP	FLAT	NATURAL



NAME: _____

BASS—HALF, FIRST, AND THIRD POSITION FINGERINGS

7TH AND 8TH GRADE ORCHESTRA

E A D G

FIRST POSITION

String	1	2	4
E	F	F#	G
A	B _b	B	C
D	D#/E _b	E	F
G	G#/A _b	A	B _b

HALF POSITION

String	1	4
E	G#	G
A	C#	C
D	F#	F
G	B	B _b

THIRD POSITION

String	1	3	4
E			
A			
D			
G	C	C#	D

Legend:

#	b	♮
↓	↓	↓
SHARP	FLAT	NATURAL

